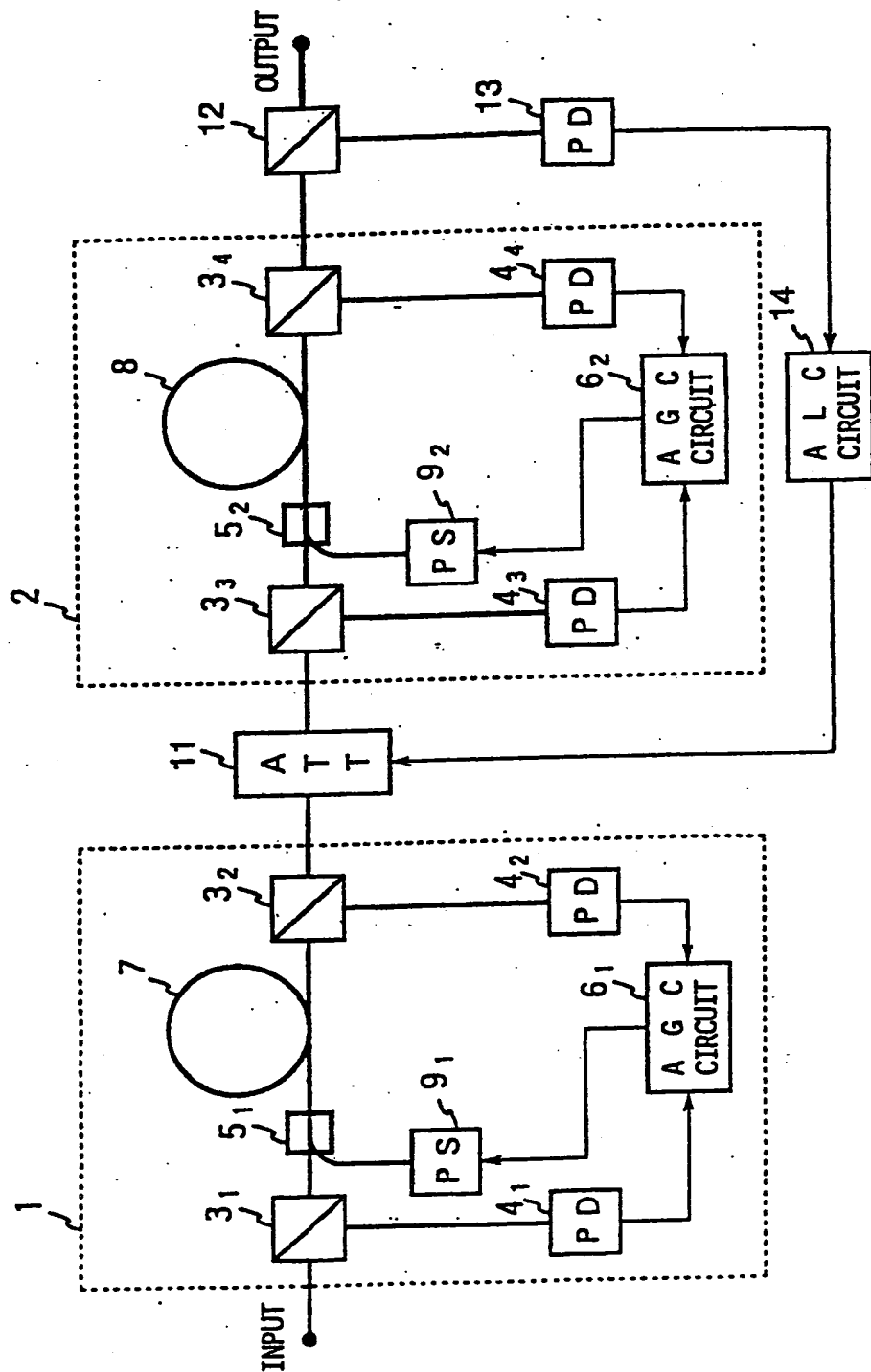


THIS DOCUMENT CONTAINS NEITHER RECOMMENDATIONS NOR
CONCLUSIONS OF THE NATIONAL BUREAU OF STANDARDS
AND IS INTENDED TO BE USED FOR INFORMATIONAL PURPOSES
ONLY. THE UNITED STATES GOVERNMENT IS AUTHORIZED TO
REPRODUCE AND RESELL THIS DOCUMENT FOR GOVERNMENT
USE WITH NOTWITHSTANDING ANY COPYRIGHT NOTATION
HEREON.

FIG. 1



Vertical text on the left side of the page, possibly a page number or reference.

FIG. 2

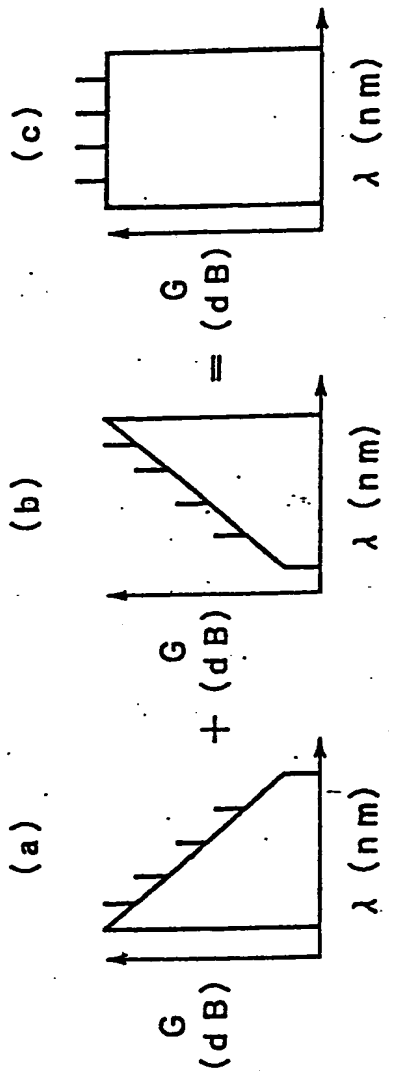


FIG. 3

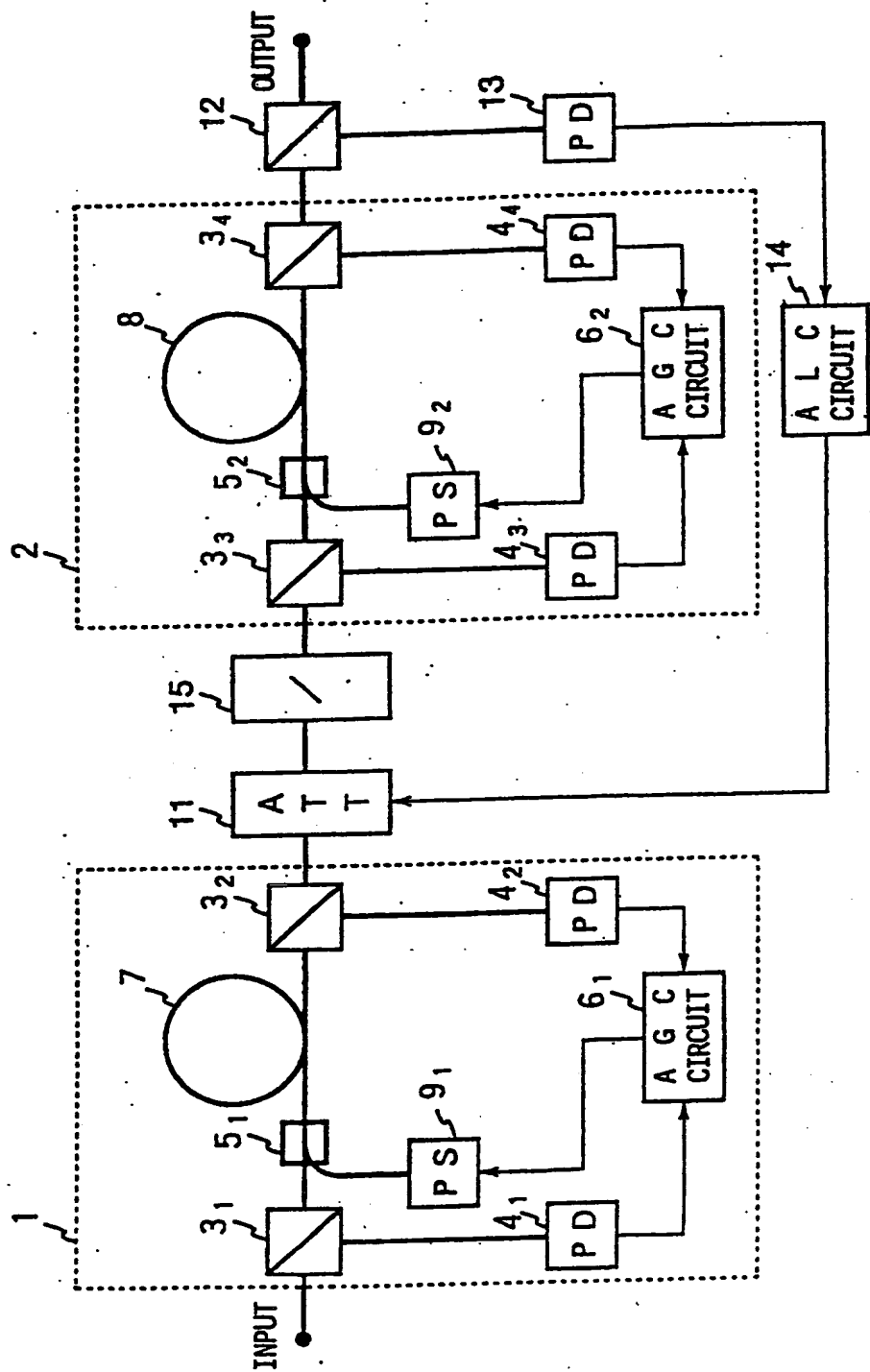


FIG. 4

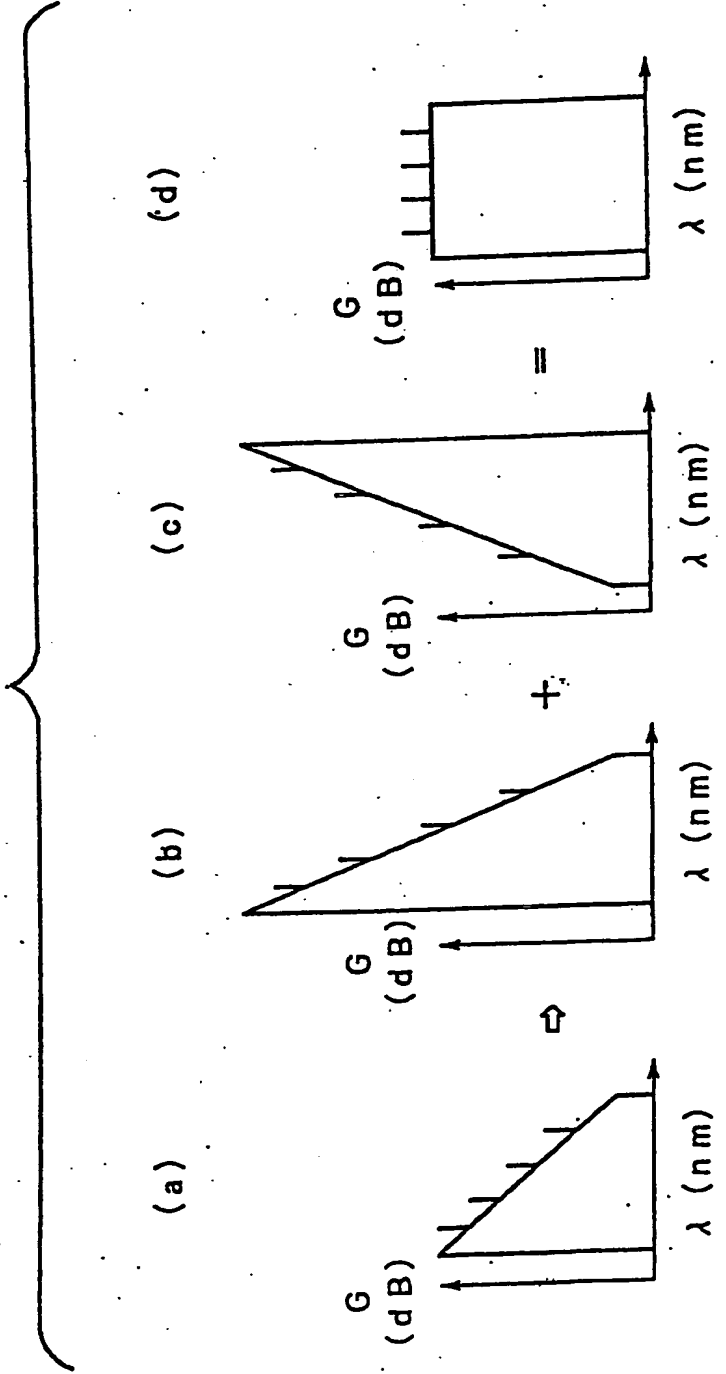


FIG. 5

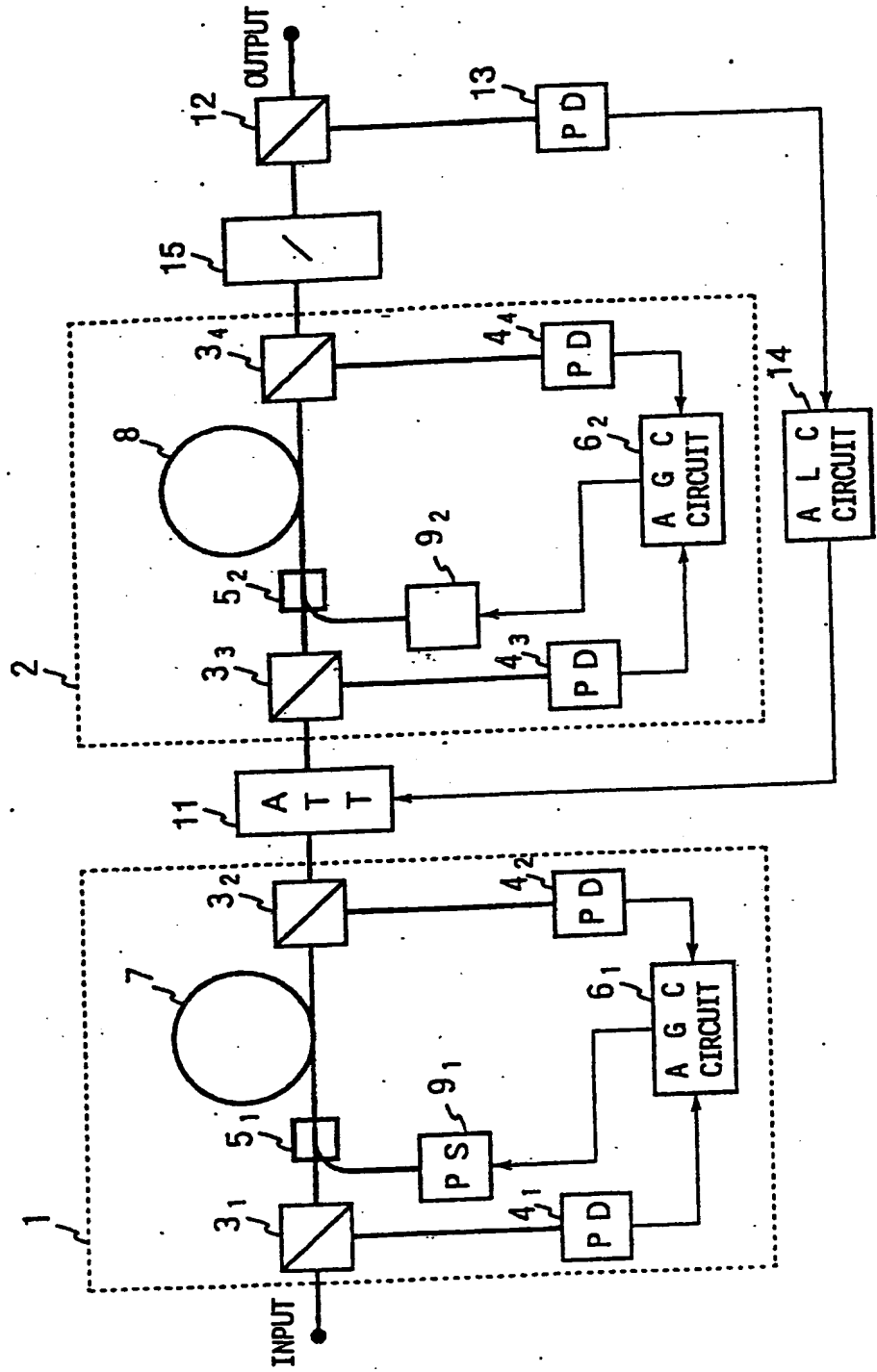


FIG. 6

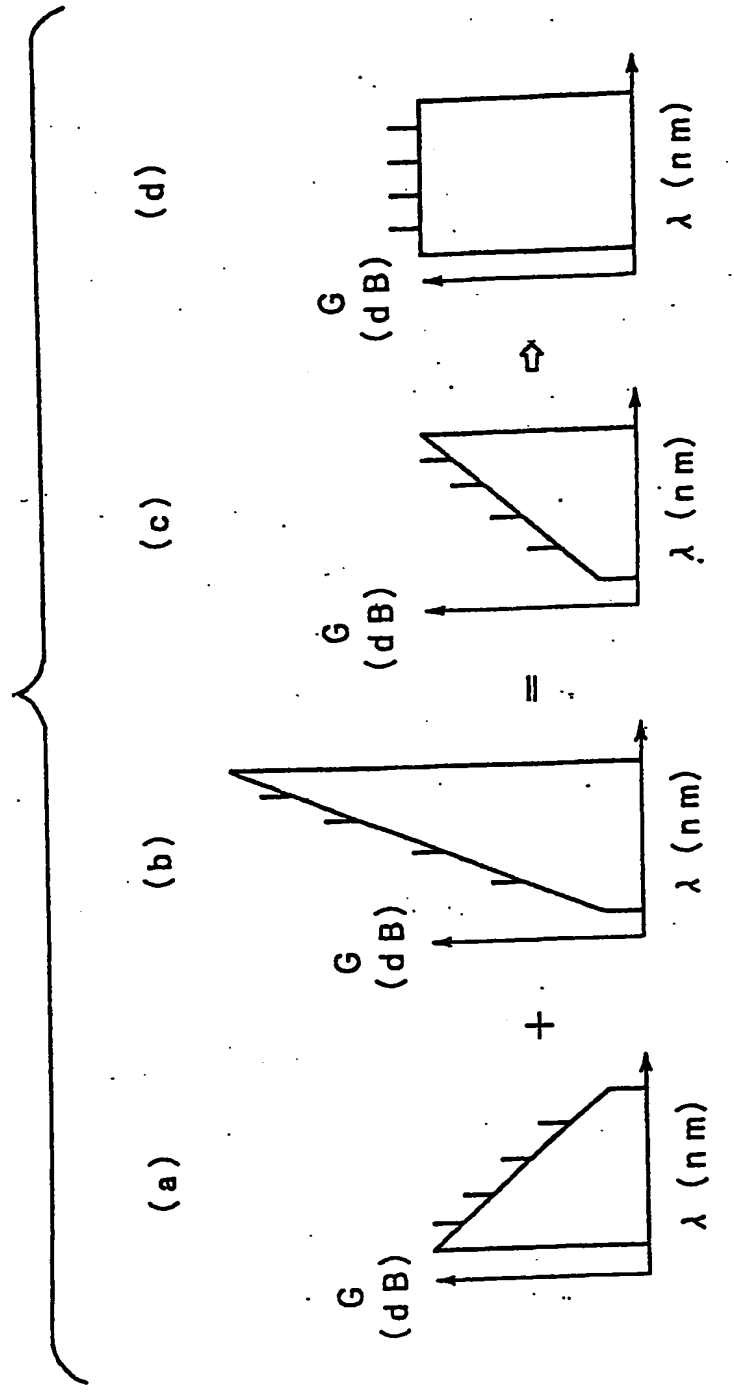


FIG. 7A

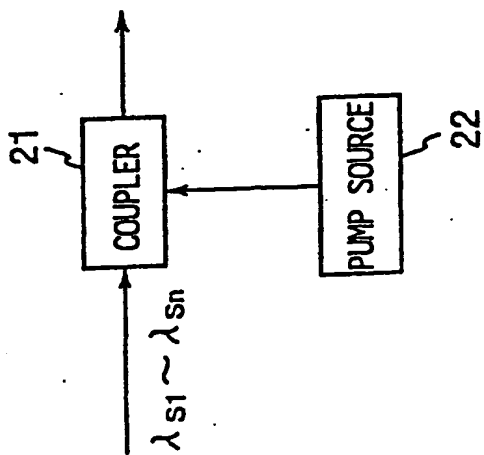


FIG. 7B

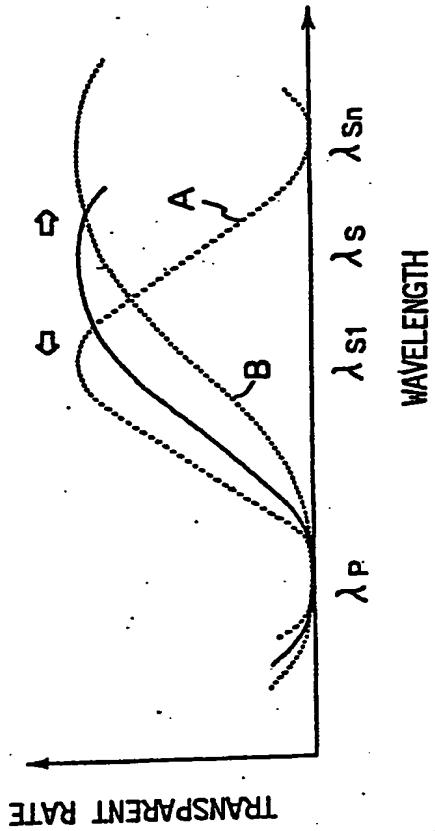


FIG. 8

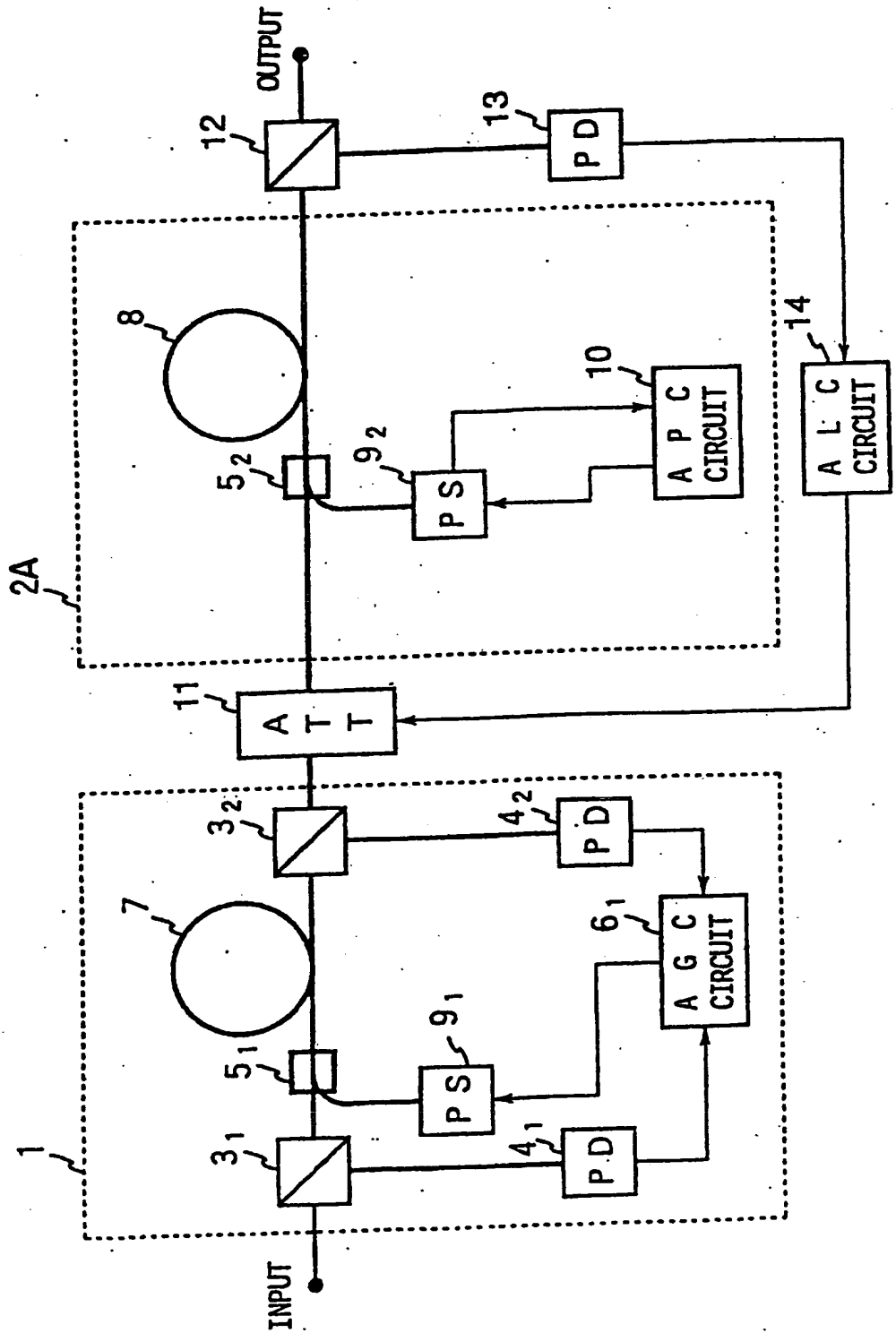


FIG. 9

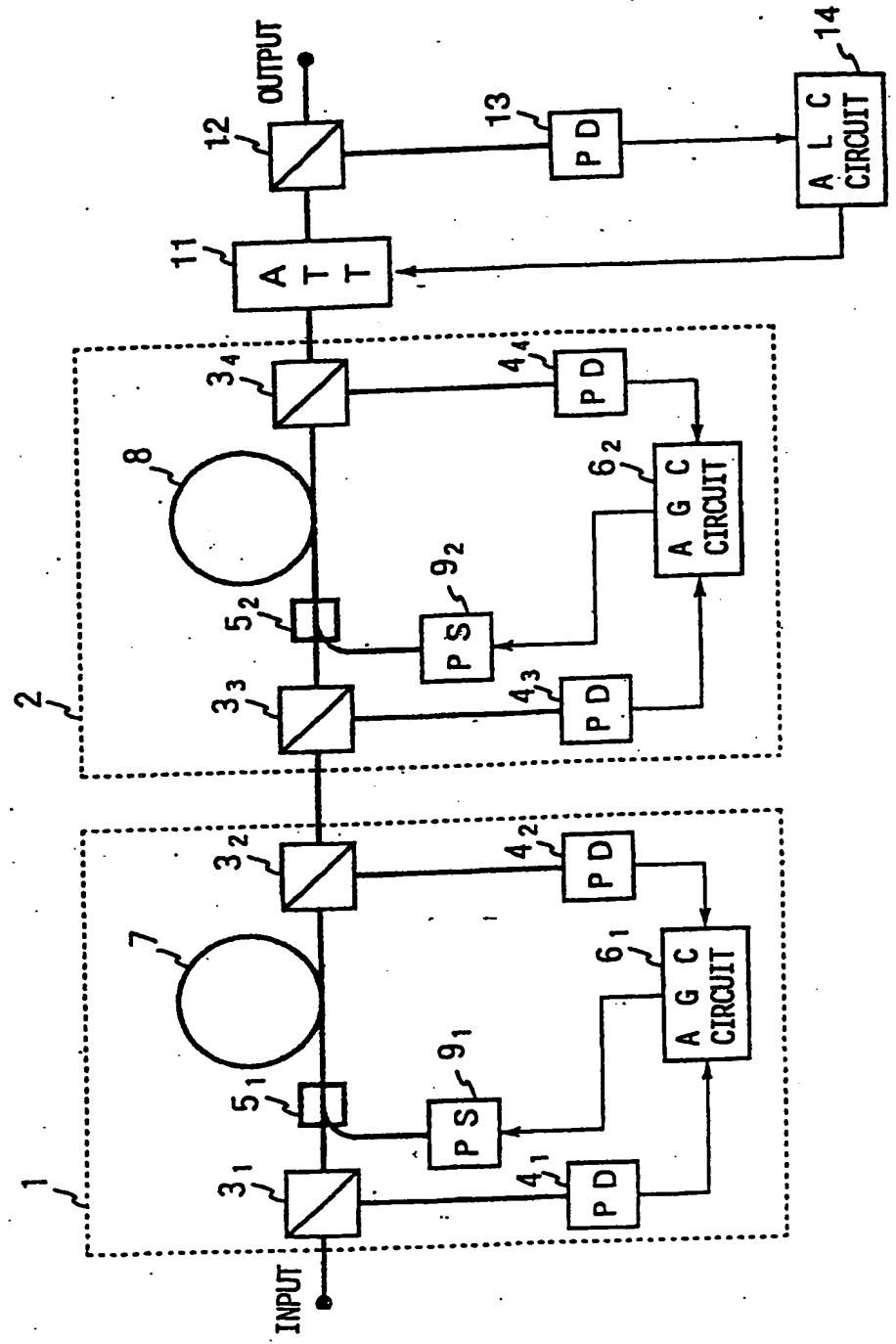


FIG. 10

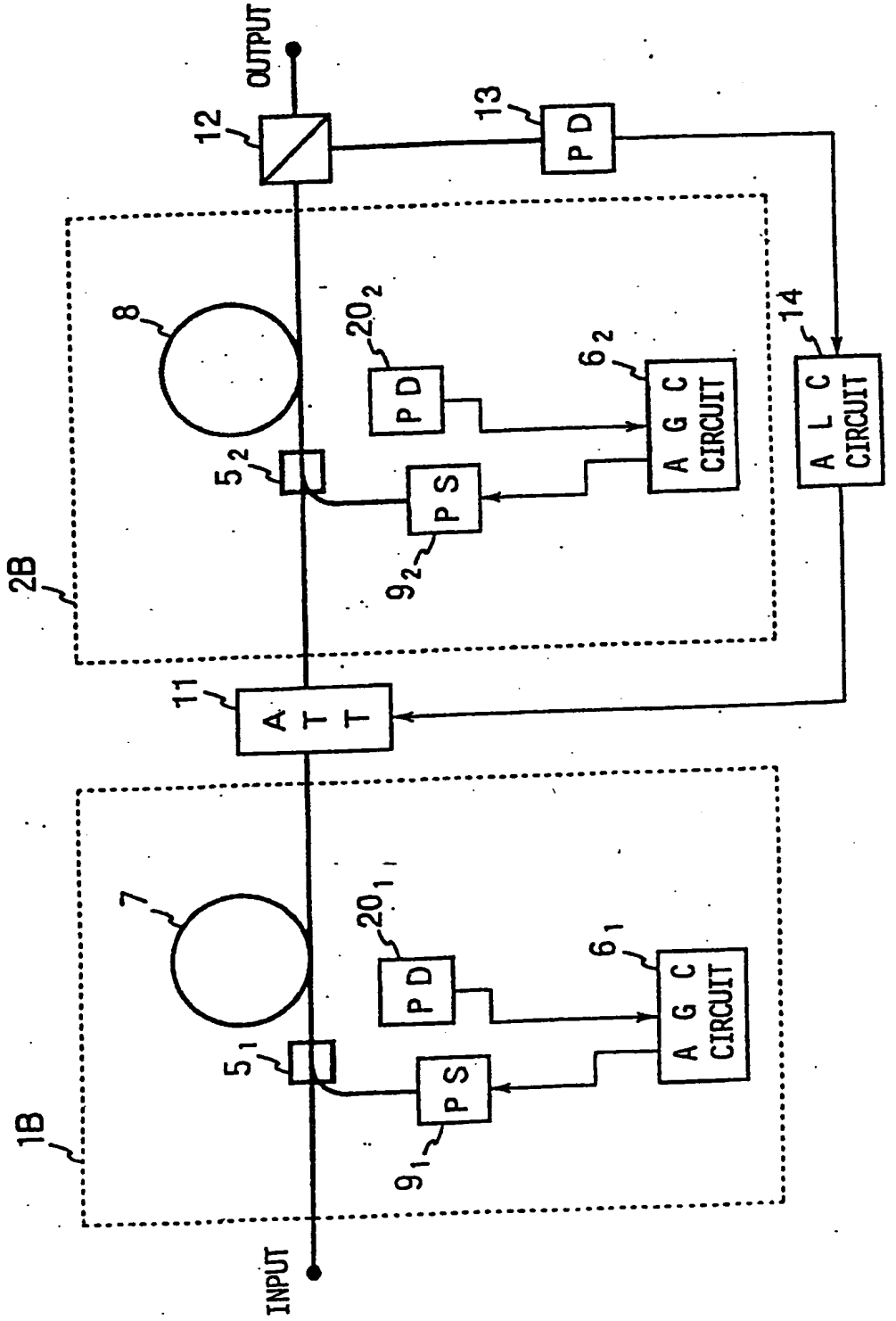


FIG. 11

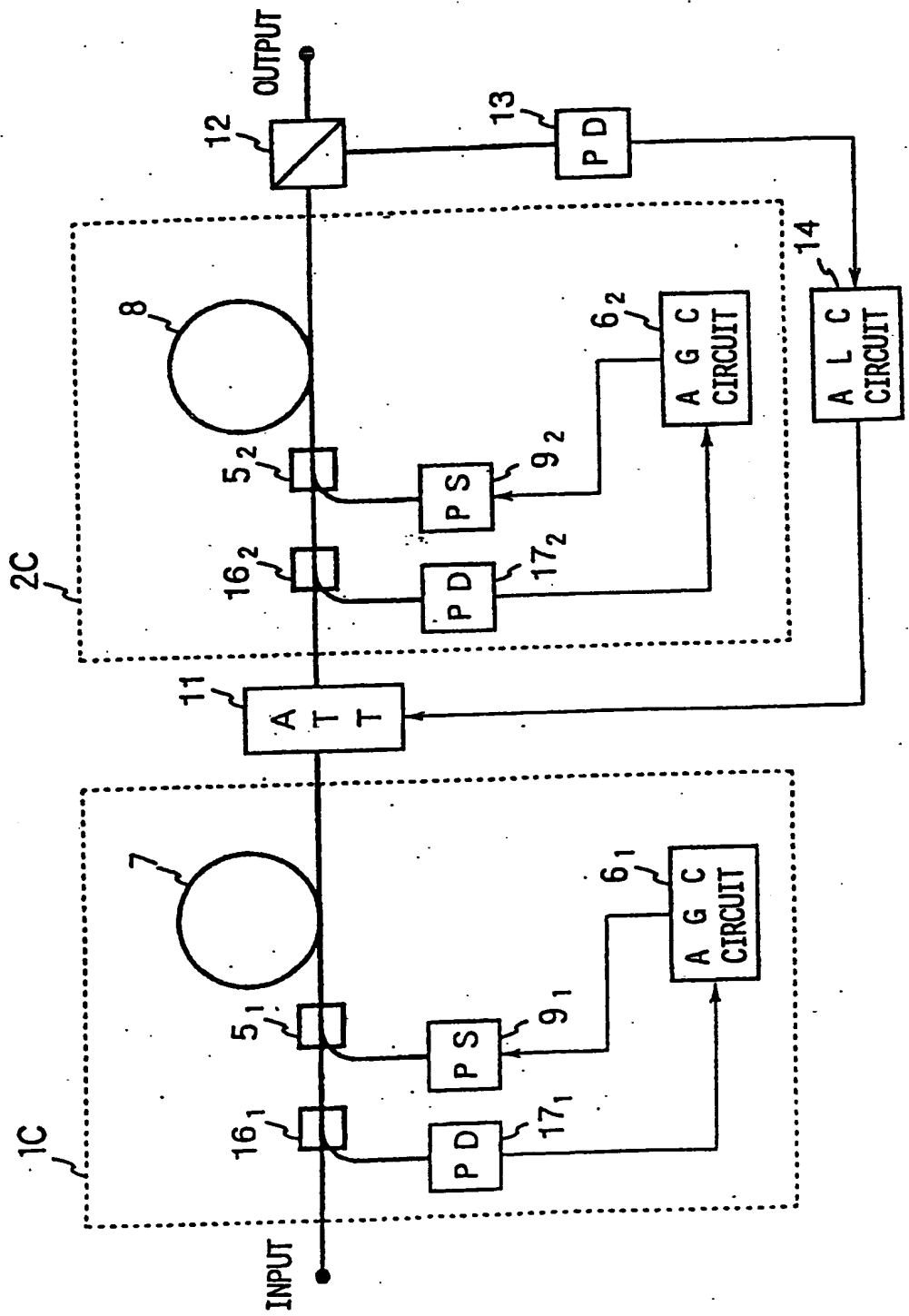


FIG. 12

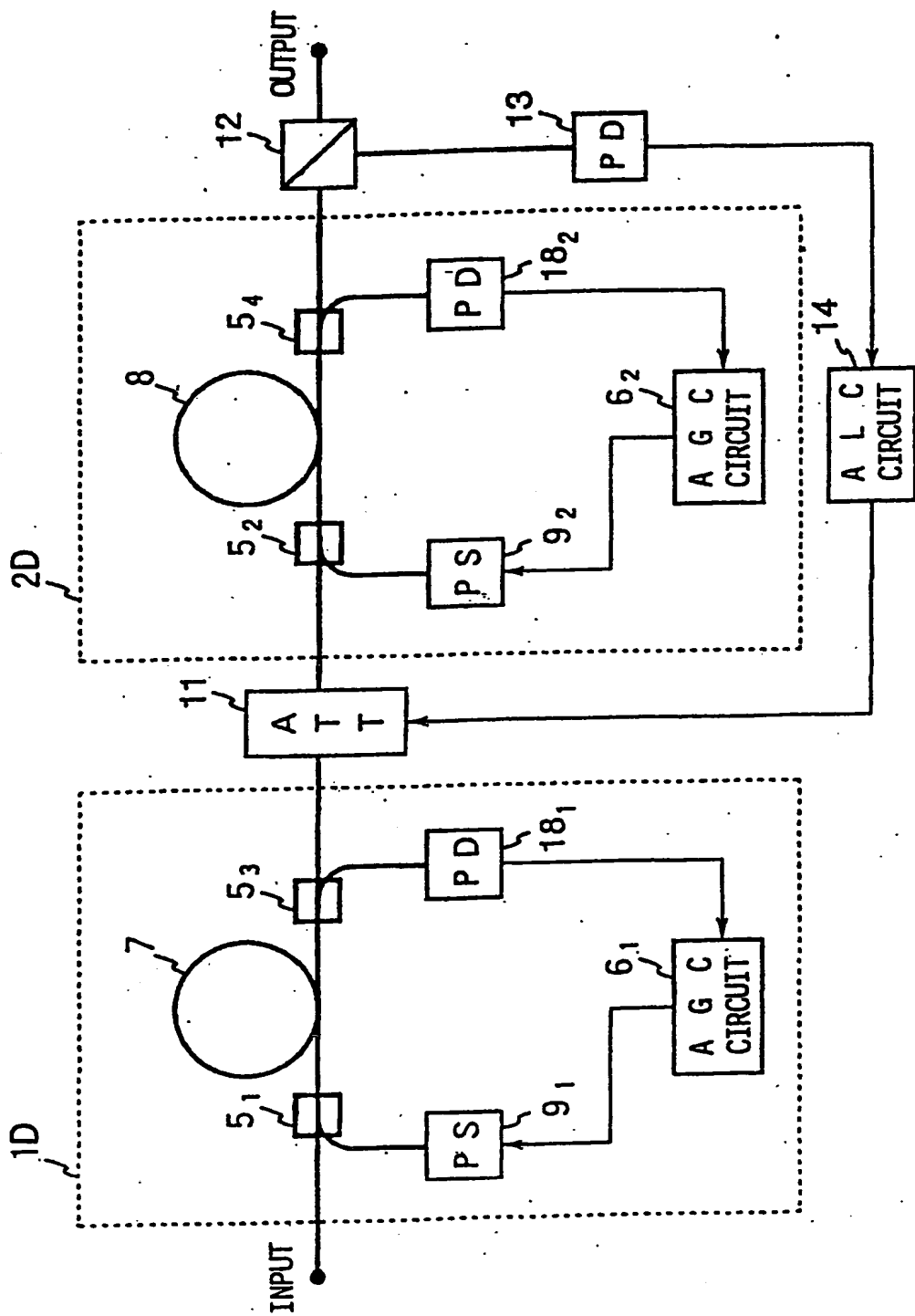


FIG. 13

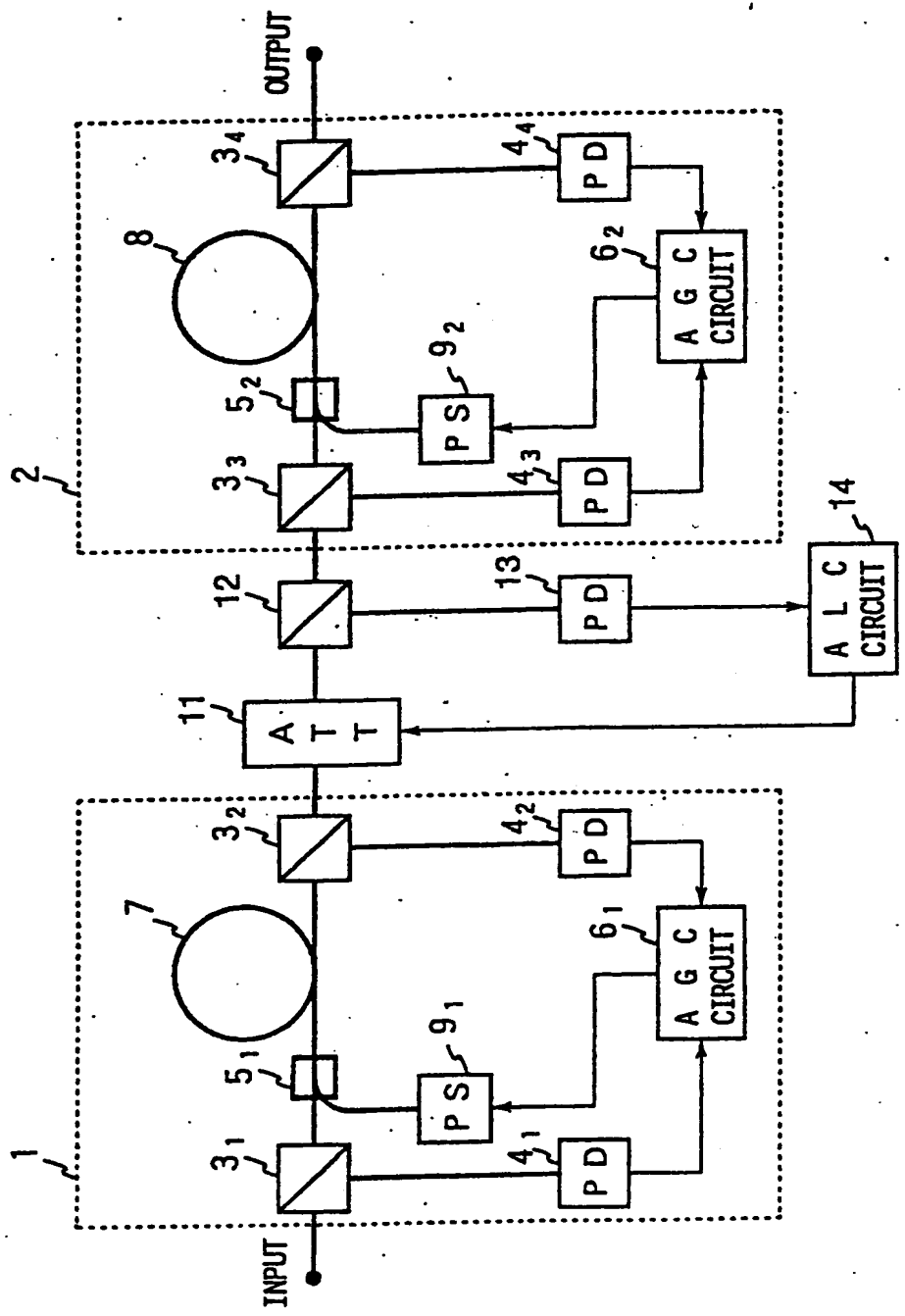


FIG. 14 is a schematic diagram of a system for measuring the power of a signal. The system includes an input terminal 1, an output terminal 2, and a central terminal 3. The input signal is split into two paths, each passing through a directional coupler (31, 32) and a detector (41, 42). The detectors are connected to a power source (PS) and an automatic gain control (AGC) circuit (61). The output signal is split into two paths, each passing through a directional coupler (51, 52) and a detector (91, 92). The detectors are connected to a power source (PS) and an automatic level control (ALC) circuit (141, 142). The ALC circuit (141) is also connected to an automatic gain control (AGC) circuit (61). The system is enclosed in a dashed box 1, with a sub-section 2E also enclosed in a dashed box.

FIG. 14

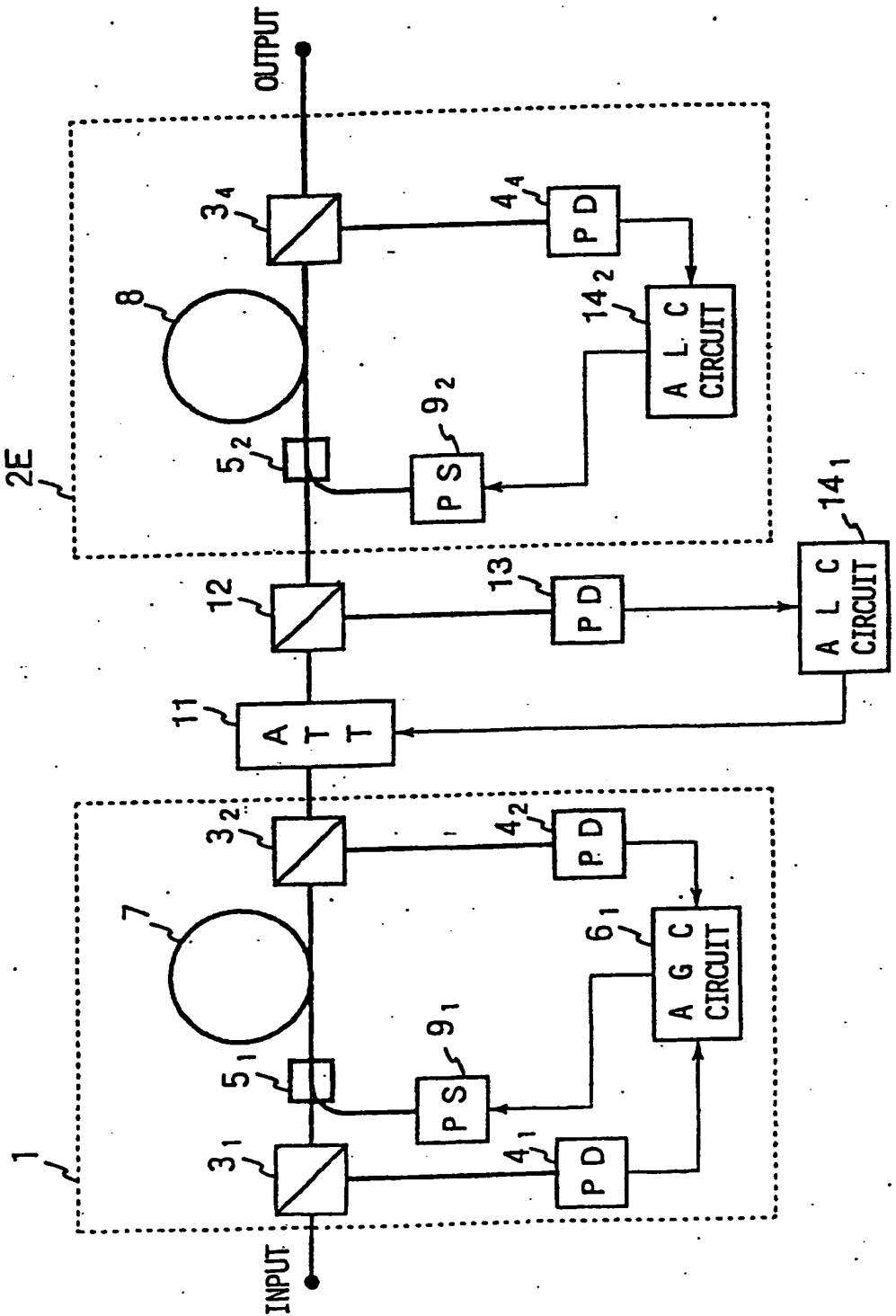


FIG. 15

